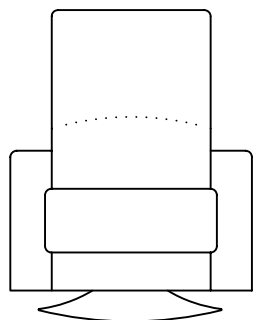


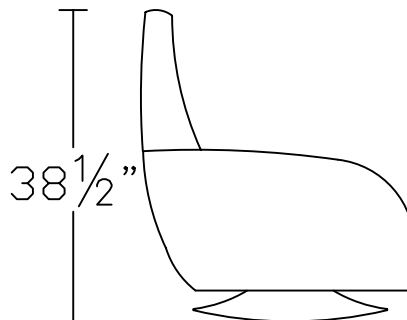
SOLO AC10

Designed for KELVIN GIORMANI

1D



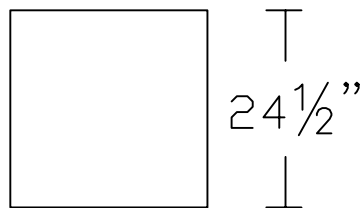
— 30" —



38 1/2"

— 34" —

ST



24 1/2"

— 24 1/2" —

ST



16"

— 24 1/2" —