

JEAN MARIE

MOOME COLLECTION



JEAN MARIE

PRODUCT INFORMATION

FEET: 1 3/4" RECESSED FEET

SIDE UPHOLSTERY : UPCHARGE FOR UPHOSTERED PLATE ON FIXED OR MOTION ELEMENTS

FABRIC SIDE PANEL:

LEATHER SIDE PANEL:

PUSH BUTTONS: STANDARD VERSIONS COMES WITH TOUCH BUTTONS (2 PER MOTOR)

RF CONTROL: REMOTE CONTROL WILL ALWAYS BE COMBINED WITH THE STANDARD TOUCH BUTTONS

UPCHARGE PER REMOTE:

BATTERY PACK : THE BATTERY PACK IS ALWAYS COMBINED WITH TOUCH BUTTON SYSTEM(2 PER MOTOR).
CHARGING IS DONE AT THE BACK OF THE SOFA AT THE BOTTOM VIA CABLE

UPCHARGE FOR BATTERY PACK:

BATTERY & RF CONTROL (REMOTE) CANNOT BE COMBINED**

JEAN MARIE

PRODUCT INFORMATION

BATTERY PACK TECHNICAL INFORMATION

1. SAFETY INSTRUCTIONS:

- Ambient temperature 0°C – 40°C
- Handle battery carefully!
 - Do not throw, drop or subject to strong vibrations
 - Do not expose to fire
 - Do not disassemble
 - Do not submerge in water
 - Keep away from children
 - Use in a dry, well-ventilated area

2. INITIAL USE

Fully charge the battery before using it for the first time. Charging time is +/- 8 hours. The battery is fully charged when the green led turns on.

3. LOAD

Charge the battery only with the supplied transformer.
Flashing red LED light: the battery is charging
Green LED light on permanently: battery fully charged
Red LED light permanently on: battery defective

Attention:

- When charging the battery of your relax chair, always connect the battery (via the charging point) to the transformer first. Then connect the transformer to the mains.
- After charging, first disconnect the transformer from the mains, then from the battery.
- Charging should be done after the battery beeps, not before.
- The battery should be fully charged every three months. Otherwise, it will become defective and the warranty is void.
- Charging should only take place at an ambient temperature between 0 ° C and 40 ° C.
- An 8 hour charge time is recommended.
- If the battery is not fully charged after 24 hours, replace the battery.
- After 3 months of storage (not in use), fully charge the battery.

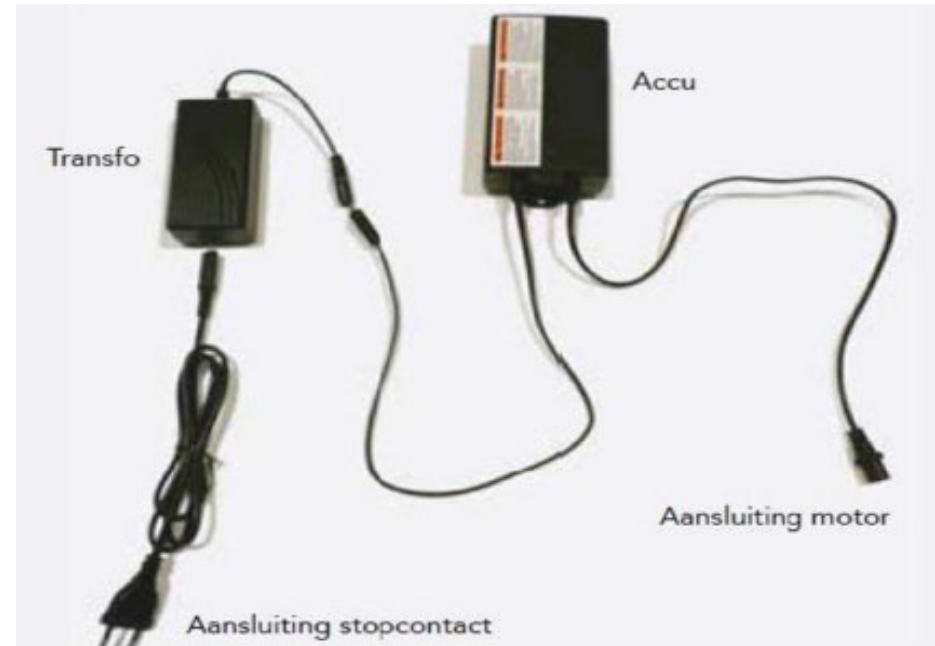
4. MAINTENANCE

On regular basis:

- Remove dust and dirt with a slightly damp cloth
- Visual inspection for damage

5. WARRANTY

Warranty battery and transformer = 2 years



JEAN MARIE

PRODUCT INFORMATION

FINISH NOTES

NOT AVAILABLE IN LEATHERS:

W401XX

W429XX

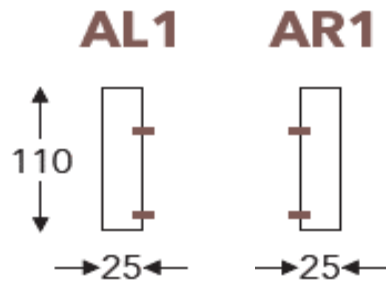
W477XX

JEAN MARIE

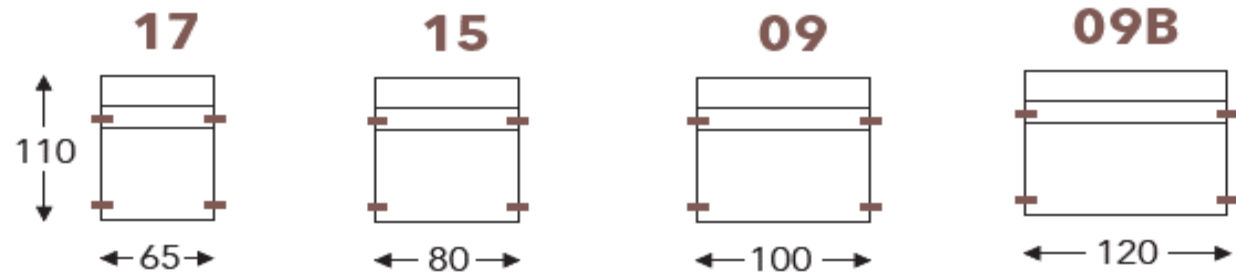
PRODUCT INFORMATION

DIMENSIONS IN CM

ARMS



FIXED SEATS

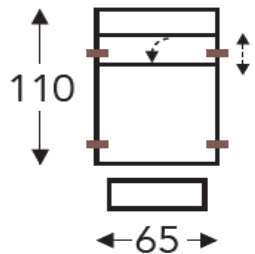


MOTORIZED SEATS

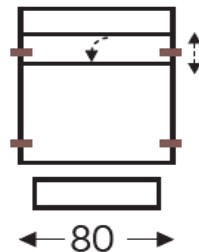
Manual headrest

Electric headrest

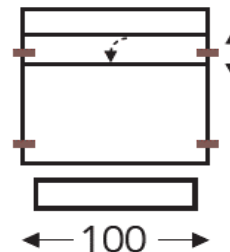
63T **463T**



73T **473T**



83T **483T**



JEAN MARIE

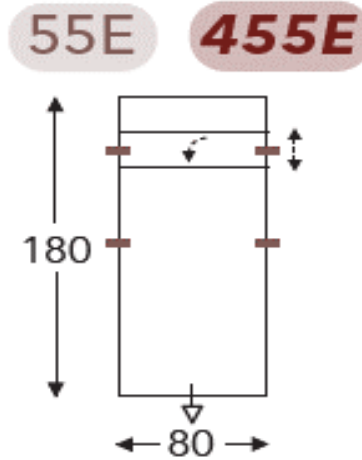
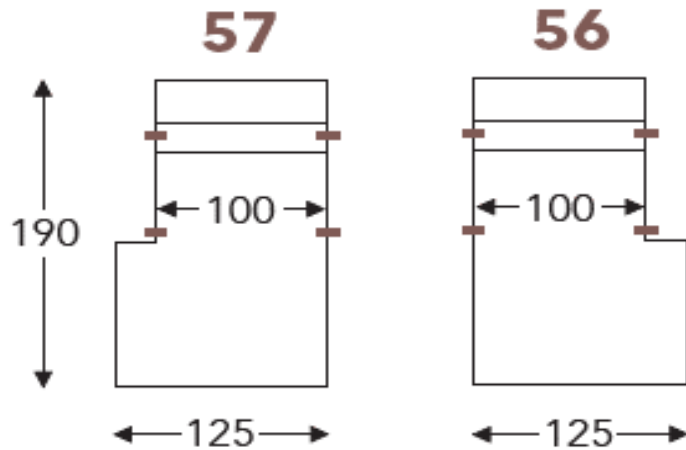
PRODUCT INFORMATION

DIMENSIONS IN CM

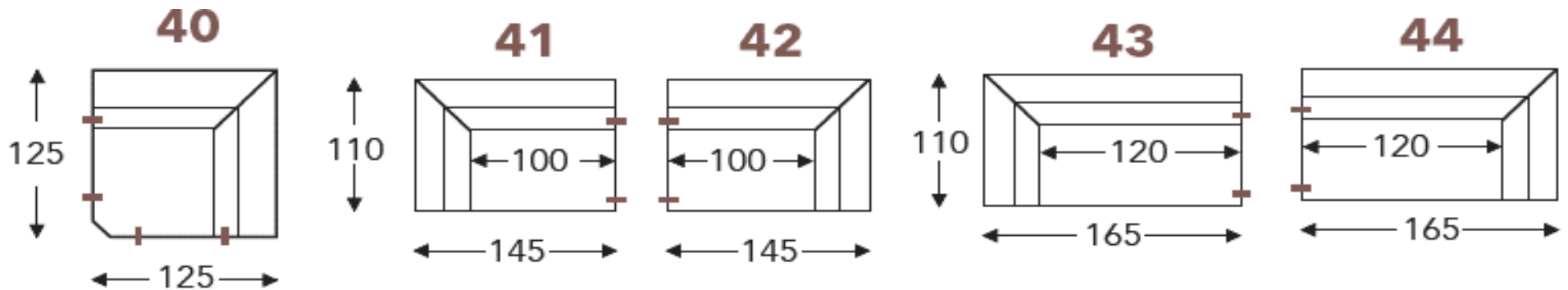
CHAISE

Manual headrest

Electric headrest



CORNER



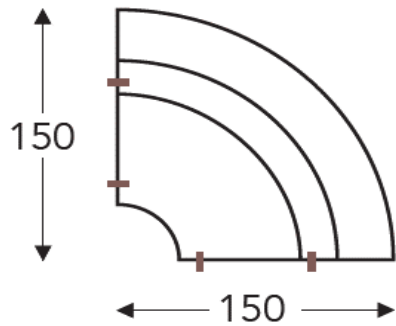
JEAN MARIE

PRODUCT INFORMATION

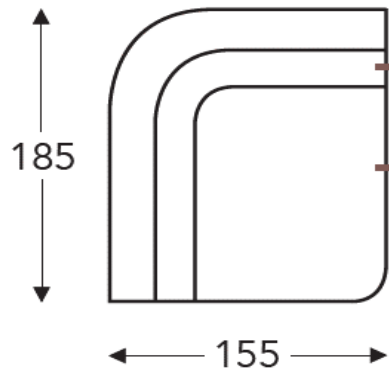
DIMENSIONS IN CM

CURVED CORNER

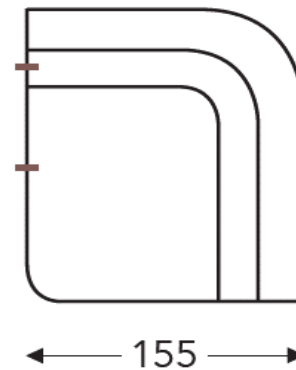
40C



41C



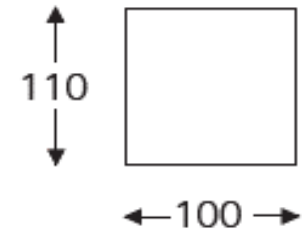
42C



OTTOMAN

90

Pouf



LUMBAR PILLOWS

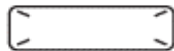
BCL 1

Lumbar cushion 1
55 x 25 x 15cm



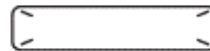
BCL 2

Lumbar cushion 2
70 x 25 x 15cm



BCL 3

Lumbar cushion 3
90 x 25 x 15cm



BCL 4

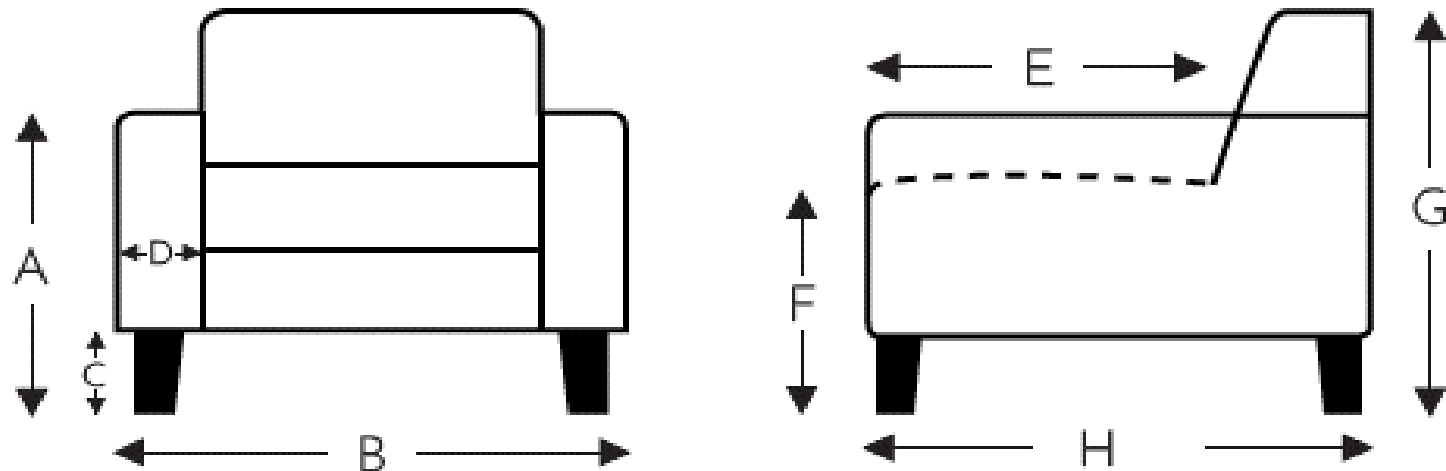
Lumbar cushion 4
110 x 25 x 15cm



JEAN MARIE

PRODUCT INFORMATION

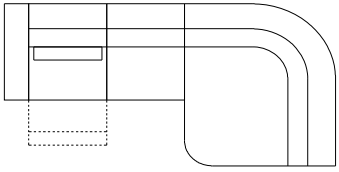
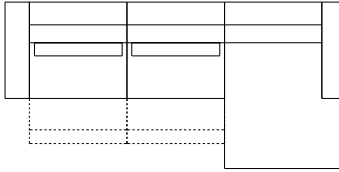
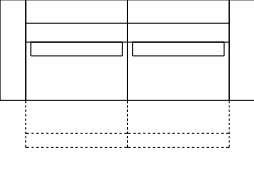
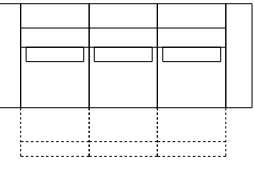
DIMENSIONS IN CM



(Tolerance on dimensions $\pm 3\%$)

- A. Arm height: 53 cm
- B. Width : variable per elements
- C. Feet height: 4 cm
- D. Arm width: 25 cm
- E. Seat dept: 64 cm
- F. Seat height: 46 cm
- G. Back height: 88 cm
- H. Dept: 110 cm

JEAN MARIE

ELEMENT SH: 18 1/8" SD: 25 1/4" AH: 20 7/8"				
W:	133 7/8"	137 3/4"	98 1/2"	96 1/2"
H:	34 5/8"	34 5/8"	34 5/8"	34 5/8"
D:	72 7/8"	74 7/8"	43 3/8"	43 3/8"

Article Code	PREDESIGNED SEATING A	PREDESIGNED SEATING B	PREDESIGNED SEATING C	PREDESIGNED SEATING D
Description	AL1 + 73T + 15 + 42C + BCL2	AL1 + 83T + 83T + 56 + AR1 + BCL3 + BCL3	AL1 + 83T + 83T + AR1 + BLC3 + BCL3	AL1 + 63T + 63T + 63T + AR1 + BCL1 + BCL1 + BCL1

COM Yardage	23.87	24.55	17.15	17.94
--------------------	-------	-------	-------	-------



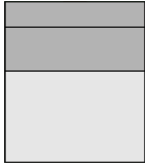

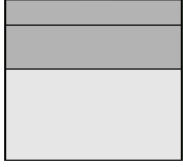
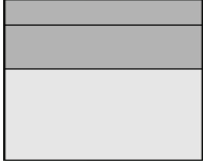
Fabric				
COM ST02 ST03 ST05 ST06 ST07 ST08 ST09 ST10				

COL Sqft	362.42	421.30	258.98	251.66
-----------------	--------	--------	--------	--------

Leather	Retail			
COL W4 W6				

UPCHARGE PER MOTORIZED HEADREST (ITEM # CHANGES TO 4 + REFERENCE CODE)	
UPCHARGE PER BATTERY PACK	

JEAN MARIE

ELEMENT SH: 18 1/8" SD: 25 1/4"							
	W:	9 7/8"	9 7/8"	25 5/8"	31 1/2"	39 3/8"	47 1/4"
	H:	20 7/8"	20 7/8"	34 5/8"	34 5/8"	34 5/8"	34 5/8"
	D:	43 3/8"	43 3/8"	43 3/8"	43 3/8"	43 3/8"	43 3/8"

Article Code	AL1	AR1	17	15	09	09B
Description	Left Armrest	Right Armrest	Armless Fixed Single Seat	Armless Fixed Single Seat	Armless Fixed Single Seat	Armless Fixed Single Seat


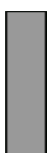
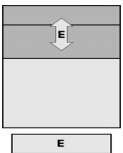

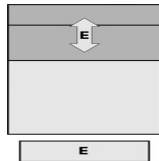
COM Yardage	1.95	1.95	3.74	4.45	5.23	6.18
--------------------	------	------	------	------	------	------

Fabric	
COM	
ST02	
ST03	
ST05	
ST06	
ST07	
ST08	
ST09	
ST10	

COL Sqft	24.76	24.76	58.56	74.81	93.75	103.12
-----------------	-------	-------	-------	-------	-------	--------

Leather	
COL	
W4	
W6	

JEAN MARIE

ELEMENT SH: 18 1/8" SD: 25 1/4" DEPTH W/ RECLINER: 69 3/4"						
	W:	9 7/8"	9 7/8"	25 5/8"	31 1/2"	39 3/8"
	H:	20 7/8"	20 7/8"	34 5/8"	34 5/8"	34 5/8"
	D:	43 3/8"	43 3/8"	43 3/8"	43 3/8"	43 3/8"

Article Code	AL1	AR1	63T	73T	83T
Description	Left Armrest	Right Armrest	Motorized Reclining Armless Single Seat w/ Manual Headrest	Motorized Reclining Armless Single Seat w/ Manual Headrest	Motorized Reclining Armless Single Seat w/ Manual Headrest

COM Yardage	1.95	1.95	3.74	4.45	5.23
--------------------	------	------	------	------	------

Fabric					
COM					
ST02					
ST03					
ST05					
ST06					
ST07					
ST08					
ST09					
ST10					

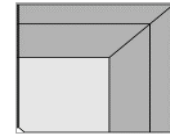
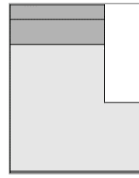
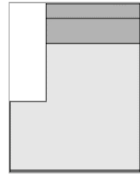
COL Sqft	24.76	24.76	58.56	74.81	93.75
-----------------	-------	-------	-------	-------	-------

Leather					
COL					
W4					
W6					

UPCHARGE FOR MOTORIZED HEADREST (ITEM # CHANGES TO 4 + REFERENCE CODE)				
UPCHARGE FOR BATTERY PACK				

JEAN MARIE

ELEMENT
SH: 18 1/8"



W:	49 1/4"	49 1/4"	31 1/2"	49 1/4"
H:	34 5/8"	34 5/8"	34 5/8"	34 5/8"
D:	74 7/8"	74 7/8"	70 7/8"	49 1/4"

Article Code	56	57	55E	40
Description	Chaise - Must Add AL1	Chaise - Must Add AR1	Chaise incl Motorized Extender & Back Rest w/ Manual Head Mechanism	Corner

COM Yardage	7.40	7.40	6.05	8.48
-------------	------	------	------	------

Fabric	
COM	
ST02	
ST03	
ST05	
ST06	
ST07	
ST08	
ST09	
ST10	

COL Sqft	162.32	162.32	104.41	120.99
----------	--------	--------	--------	--------

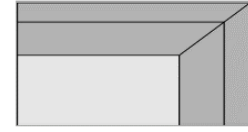
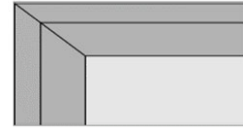
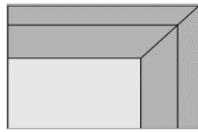
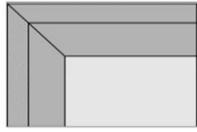
Leather	
COL	
W4	
W6	

UPCHARGE FOR MOTORIZED HEADREST FOR 55E (ITEM # CHANGES TO 4 + REFERENCE CODE)

UPCHARGE FOR BATTERY PACK

JEAN MARIE

ELEMENT
SH: 18 1/8"



W:	57"	57"	65"	65"
H:	34 5/8"	34 5/8"	34 5/8"	34 5/8"
D:	43 3/8"	43 3/8"	43 3/8"	43 3/8"

Article Code	41	42	43	44
Description	Left Long Corner	Right Long Corner	Left Extra Long Corner	Right Extra Long Corner

COM Yardage	8.72	8.72	9.51	9.51
--------------------	------	------	------	------

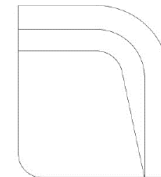
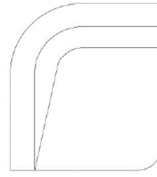
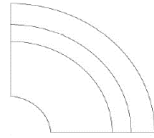
Fabric	
COM	
ST02	
ST03	
ST05	
ST06	
ST07	
ST08	
ST09	
ST10	

COL Sqft	133.90	133.90	160.38	160.38
-----------------	--------	--------	--------	--------

Leather	
COL	
W4	
W6	

JEAN MARIE

ELEMENT
SH: 18 1/8"



W:	59"	61"	61"	39 3/8"
H:	34 5/8"	34 5/8"	34 5/8"	18 1/8"
D:	59"	72 7/8"	72 7/8"	43 3/8"

Article Code	40C	41C	42C	90
Description	Curved Corner	Left Curved Chaise w/ Back	Right Curved Chaise w/ Back	Ottoman

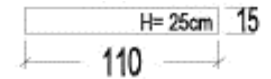
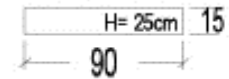
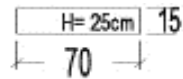
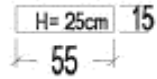
COM Yardage	8.95	11.89	11.89	4.09
-------------	------	-------	-------	------

Fabric	
COM	
ST02	
ST03	
ST05	
ST06	
ST07	
ST08	
ST09	
ST10	

COL Sqft	133.80	179.11	179.11	64.58
----------	--------	--------	--------	-------

Leather	
COL	
W4	
W6	

JEAN MARIE



W:	21 5/8"	27 1/2"	35 1/2"	43 3/8"
H:	9 7/8"	9 7/8"	9 7/8"	9 7/8"
D:	6"	6"	6"	6"

Article Code	BCL1	BCL2	BCL3	BCL4
Description	Lumbar Cushion 1	Lumbar Cushion 2	Lumbar Cushion 3	Lumbar Cushion 4

COM Yardage	0.94	1.14	1.40	1.66
--------------------	------	------	------	------

Fabric	
COM	
ST02	
ST03	
ST05	
ST06	
ST07	
ST08	
ST09	
ST10	

COL Sqft	8.83	8.93	10.98	13.02
-----------------	------	------	-------	-------

Leather	
COL	
W4	
W6	