

LUNO

MOOME COLLECTION



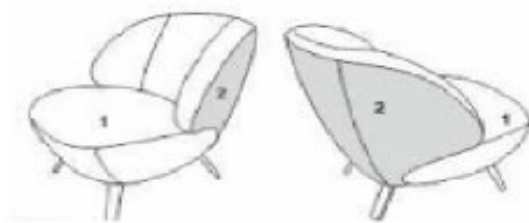
LUNO

PRODUCT INFORMATION

OPTION: LUNO (COMPLETE LEATHER or FABRIC) = STANDARD

LUNO 8 (FABRIC/LEATHER: TWO TONED)=

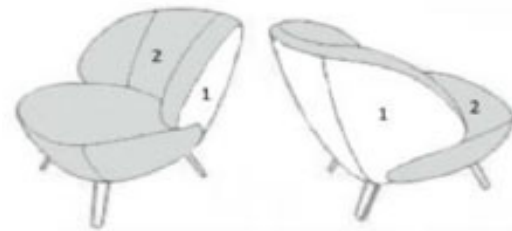
ADD UPCHARGE TO FABRIC PRICE



WHITE IS FABRIC = #1 POSITION
GREY IS LEATHER = #2 POSITION

LUNO 7 (FABRIC/FABRIC: TWO TONED)=

ADD UPCHARGE TO HIGHER FABRIC PRICE



WHITE IS FABRIC = #1 POSITION
GREY IS FABRIC = #2 POSITION

FEET: ITEM 54 STANDARD IN RAL 9005 ; HEIGHT FOR FEET 7"
ITEM 54 STANDARD IN RAL 9005 ; OPTIONAL - HEIGHT FOR FEET 8 1/4"

MF1-18-ZW

MF2-21-ZW



LUNO

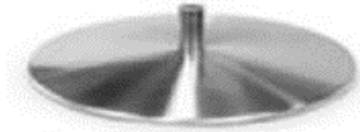
PRODUCT INFORMATION

BASE OPTIONS FOR ITEM 54V:

PRICING:

PHOTO:

NO UPCH TMF1-GB ROUND SWIVEL BASE IN CHROME



UPCH TMF1-ZW ROUND SWIVEL BASE IN MATTE BLACK



UPCH KMF8-ZW 4 POINT BASE IN MATTE BLACK



UPCH KMF8-RVS 4 POINT BASE IN CHROME



LUNO

PRODUCT INFORMATION

FINISH NOTES

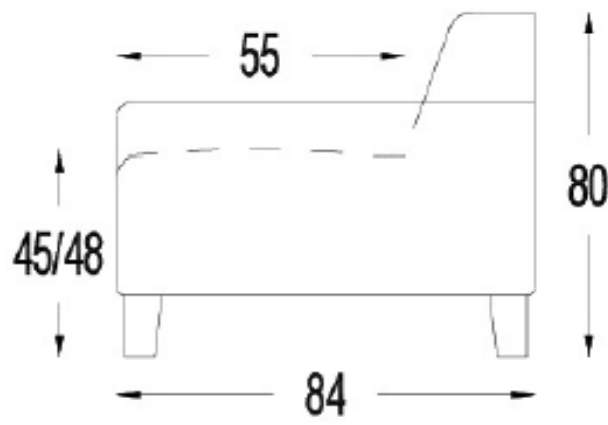
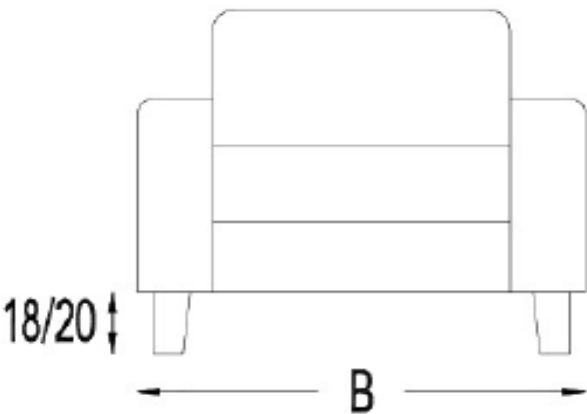
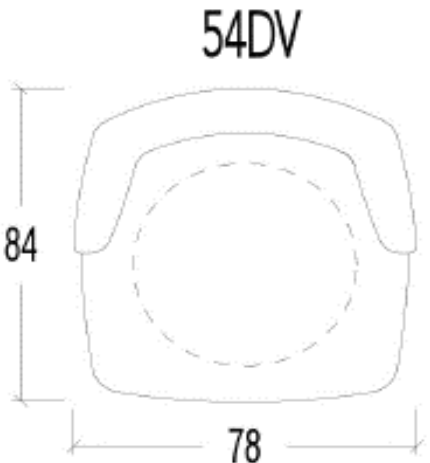
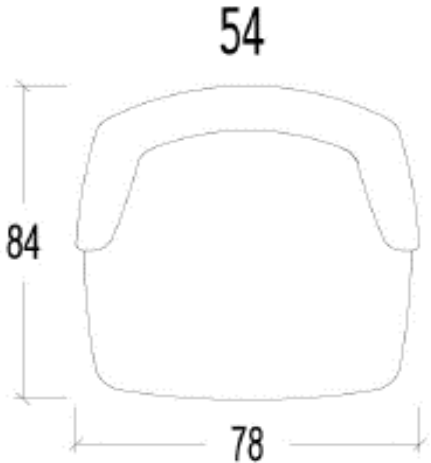
NOT AVAILABLE IN FABRICS:

ST0206XX, ST02004XX, ST0207XX,
ST0502XX

LUNO

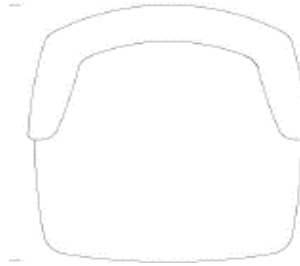
PRODUCT INFORMATION

DIMENSIONS IN CM

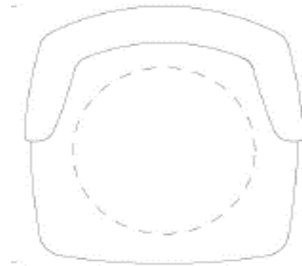


LUNO

H: 31 1/2"
 SH: 17 3/4" - 18 7/8"
 D: 33"



W: 30 1/2



30 1/2

Article Code	54	54DV
Description	Fixed Chair	Swivel Chair

COM Yardage	0.00	0.00
-------------	------	------

Fabric		
COM		
ST02 (ONLY TB117 FABRICS)		

COL Sqft	0.00	0.00
----------	------	------

LEATHER		
COL		
W4		
W5		
W6		

NOT AVAILABLE IN FABRICS:

ST0206XX, ST02004XX, ST0207XX, ST0502XX